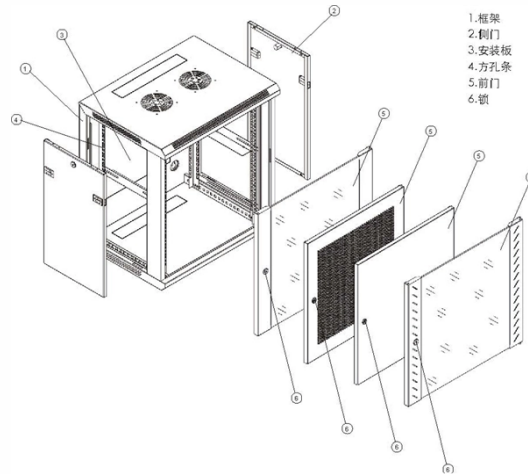


Is it possible to move outdoor fiber optic cables



Overview

Where it is necessary to lift reels and the cable reel is too heavy to move manually, the reel must be moved upright by lifting the cable with a fork lift or reel mover. The forks must be placed under the reel with the forks always perpendicular to the reel flange. Fiber optic cables are categorized based on their deployment environment: indoor fiber optic cables and outdoor fiber optic cables. Each type is designed with specific features to ensure optimal performance under varying conditions. Turn-backs and all sharp changes of direction should be avoided. Avoid pulling cables over edges. 1 How to Relocate Fiber. If I need to move the fiber cable that goes from 'junction box' on side of house, across front of my house, and then into front of house to network closet where ont is, is that something that should only be done by the service provider, or can an electrician safely do this?

I'm told fiber cable is. Deploying fiber above ground on poles or towers removes the need for underground digging and is particularly useful when the ground is uneven, rocky or both. Fiber in a duct solutions have a major aesthetic. Plan your outdoor fiber installation carefully by surveying the site, choosing the right cable type, and following FOA and OSP standards to ensure reliability.

Article Content

CableWholesale 6 Strand Fiber Optic Cable, Singlemode

Buy CableWholesale 6 Strand Fiber Optic Cable, Singlemode, Indoor/Outdoor OS2 9/125 Micron, Black, Riser Rated, Spool, 1000 ft: Optical - Amazon FREE DELIVERY possible on eligible purchases

Fiber Optic Line Relocation

Move Breakout Boxes: If possible, relocate breakout boxes without detaching cables to simplify the handling process. Careful Planning: Strategically plan relocations to mitigate risks associated with

Moving a fibre connection

Fiber optic cable can be move with the same care that you move copper. The cable is fairly strong, and rugged, it's just easy to "snap" if you tug it hard around a tight corner.

Indoor and Outdoor Fiber Cable Installation Best

Explore best practices for installing indoor and outdoor fiber optic cables, including conduit, direct burial, riser, and aerial applications. Build stable,

Need to move exterior fiber optic cable

I assume you don't have the tools & materials to splice fiber optic so your really limited to what you can do. It's not the sort of thing a big box home center carries. I would have your provider connect to your

How to Install Outdoor Fiber Optic Cable: Tips and Best

This article details outdoor fiber optic cable types, selection criteria, and professional installation guidelines. It focuses on how to choose durable cables for different

Need to move exterior fiber optic cable

If I need to move the fiber cable that goes from "junction box" on side of house, across front of my house, and then into front of house to network closet where ont is, is that something that should only be

A Practical Guide to Choosing Outdoor Fiber Optic Cables

Unlike indoor setups, you can't afford to use generic or under-specified cable outdoors. The right choice reduces signal loss, prevents downtime, and

Outdoor Fiber Installation Practices Explained for 2025

Outdoor fiber optic cable installation exposes you to unique hazards. You must follow strict precautions for safety and environmental protection to

101 Guidelines for Fiber Optic Cable Installation

A fiber optic cable should be tested three separate times during an installation: on the reel, the splicing test, and the final acceptance test. Extreme caution should

Cost efficient ways to move fiber optic cables? : r/homeowners

Yes, there's an installation fee and as far as I'm concerned, covers the cost of running a fiber cable from the pole to the home. Cut the cable as far back to the pole as possible before calling.

Indoor and Outdoor Fiber Optic Cable Installation: Key

Selecting the right fiber optic cable ensures efficient data transmission, longevity, and durability in various environments. This guide

The FOA Reference For Fiber Optics -Outside Plant

Sometimes lightweight fiber cable may be lashed to previously installed cables such as older copper phone cables or CATV hardline coax, but proper permissions

Installation Precautions For Outdoor Fiber Optic Cables

Outdoor fiber optic cables are high-performance communication cables with the advantages of fast transmission speed, low loss, high bandwidth, anti

Relocating a fibre-optic router-modem within a home

The basic problem with installing fiber is it's glass, and glass doesn't bend well. That thin white fiber cable has a minimum bend radius of somewhere around 10 cm, so if you pull it tight around a corner

Outdoor Fiber Installation Practices Explained for 2025

Splicing and termination standards guide you on where and how to splice fiber optic cable for outdoor fiber installation. Testing standards require you

Optical Fiber Cable Installation Guideline

The following contains information on the placement of fiber optic cables in various indoor and outdoor environments. In general, fiber optic cable can be installed with many of the same techniques used

Indoor and Outdoor Fiber Optic Cable Installation: Key Considerations ...

Explore best practices for installing indoor and outdoor fiber optic cables, including conduit, direct burial, riser, and aerial applications. Build stable, long-lasting networks.

FLYPROFiber

Experience unmatched speed and performance with this advanced fiber optic cable. Easy Installation and Connectivity--- The OS2 LC 6-core outdoor armored fiber

Fiber Optic Cable Storage Tips

Before storing an optical fiber, it is important to transport or move it correctly because many optical fibers are heavy. Cable drum movement is one of the common ways for fiber transportation.

Fiber Optic Cable Relocation

Discover the essential steps for successful fiber optic cable relocation and learn how to avoid costly mistakes that could disrupt your service.

Understanding Long Distance Fiber Optic Runs for New

Setting up a long-distance fiber optic link involves selecting the right hardware, understanding how wavelengths affect your setup, and ensuring proper

How to Extend your Network Using Fiber Optic Cables

This blog post explains how to extend your network over long distances, exceeding the limitations of copper cabling, using fiber optics.

How to Install Outdoor Fiber Optic Cable: Tips and Best

An improper installation may lead to signal attenuation and frequent interruptions at best, or costly repairs and even safety hazards at worst. Therefore,

The FOA Reference For Fiber Optics-Installing Fiber

Fiber optic cable may be installed indoors or outdoors using several different installation processes. Outdoor cable may be direct buried, pulled or blown into

How to Install and Maintain Outdoor Fiber Optic Cables

Explore proven methods for outdoor fiber optic cable installation and maintenance, covering essential tools, environmental factors, and durability best

Contact Us

For more information, pricing, or custom solutions, please contact us:

Website: <https://tooltechnologyapplication.com.pl>

Email: info@tooltechnologyapplication.com.pl

Phone: +49 69 3527 4819

Address: Neue Mainzer Straße 66, 60311 Frankfurt, Germany

This document is for informational purposes only. Specifications subject to change without notice.

